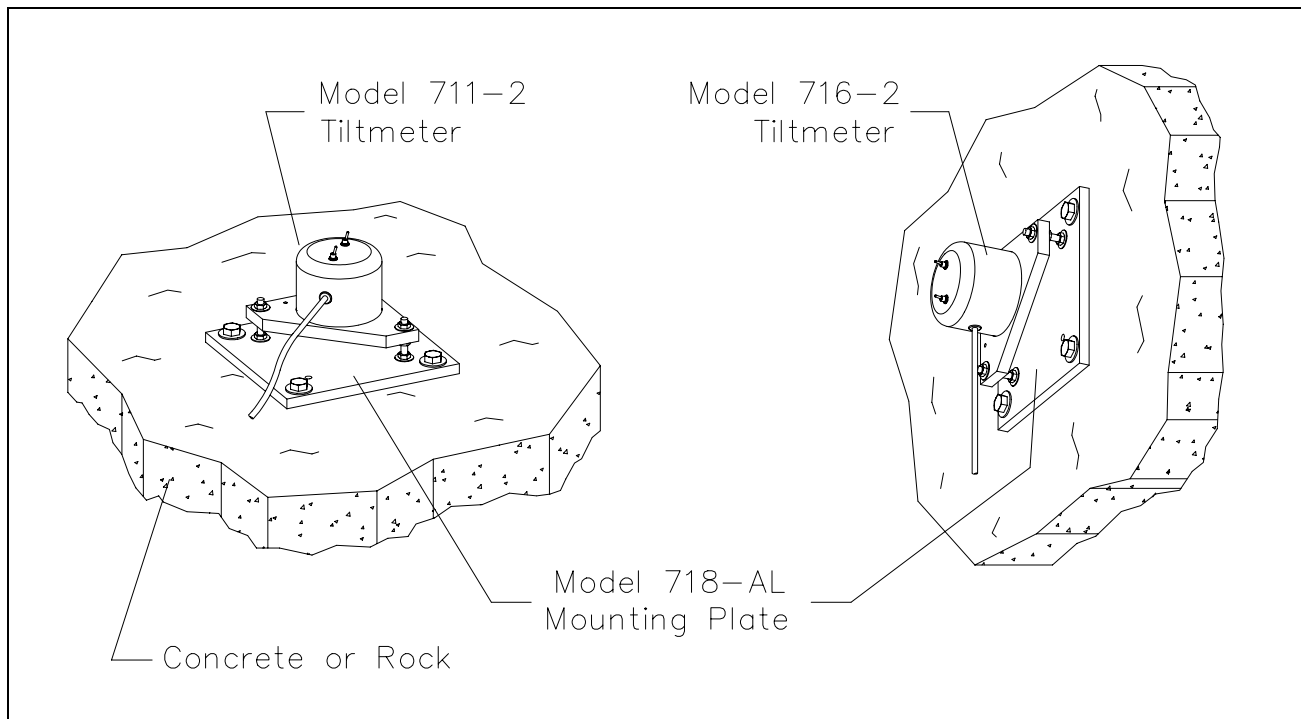


## Installing Model 711-2, 716-2 and 712 Tiltmeters with the Model 718-AL Mounting Plate

The Model 718-AL Mounting Plate is a useful accessory for installing 700-Series Surface Mount Tiltmeters on surfaces where it is difficult to drill mounting holes on the 5-inch (127 mm) spacings required by these tiltmeters. The Model 718-AL plate has oversized  $\frac{3}{4}$ -inch (19 mm) diameter mounting holes in its four corners, providing wide tolerance when drilling the holes that will be used to anchor it to the measurement surface. The tiltmeter is fastened to the plate using pre-drilled threaded holes on precise 5-inch centers.

All 700-Series Surface Mount Tiltmeters are shipped with three mounting studs sized to fit the Model 718-AL Mounting Plate. The plate may be attached to the measurement surface with user-supplied anchors or with four additional part no. 84410 mounting stud assemblies and anchoring epoxy. Model 718-AL dimensions are 8.5 x 9 x 0.5 inches (216 x 229 x 12.7 mm). The  $\frac{3}{4}$ -inch (19 mm) mounting holes are located on 7-inch (177.8 mm) centers.



### Ordering Information

Part No.	Description
<b>718-AL</b>	Mounting Plate, Aluminum
<b>718-SS</b>	Mounting Plate, Stainless Steel
<b>84410</b>	5/16-24 x 4 inch (102 mm) Mounting Stud & Hardware, stainless steel
<b>89026</b>	Anchoring Epoxy Starter Kit, includes gun, one cartridge & two mixer nozzles